

Fig. A Q-TOOL R64XL

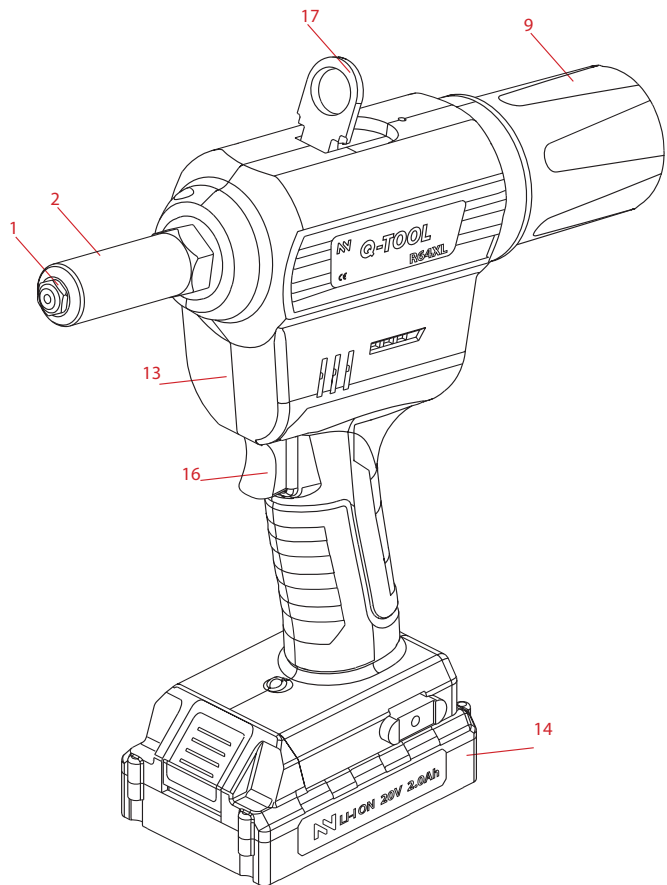
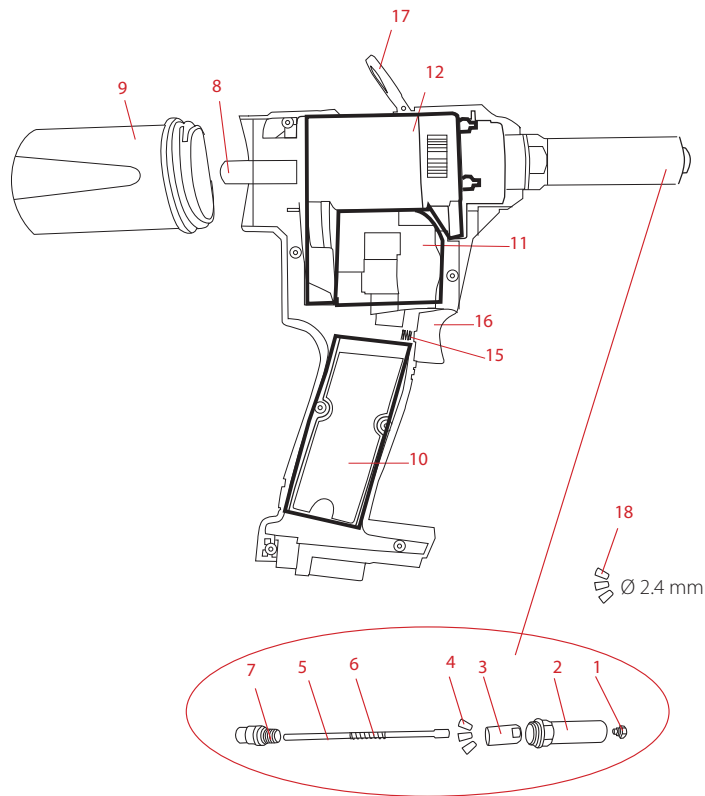


Fig. B SPARE PARTS



Q-TOOL R64XL

1. Battery-driven riveting tool

1.1 Capacity

Type Q-Tool R64XL suitable for standard blind rivets Ø 2.4 - 6.4mm and structural blind rivets up to Ø 6.4mm for all materials.

1.1.2 Accessories

1x Nosepiece for blind rivets with Ø 2.4 mm. Requires a special jaw set. Both nosepiece and jaw set can be found in the plastic case

1x Nosepiece for blind rivets with Ø 3.0/3.2 mm, found in the plastic case

1x Nosepiece for blind rivets with Ø 4.0 mm, found in the plastic case

1x Nosepiece for blind rivets with Ø 4.8/5.0 mm, found in the plastic case

1x Nosepiece for structural Q-M-Power blind rivets with Ø 4.8 mm found in the plastic case

1x Nosepiece for blind rivets with Ø 6.0/6.4 mm, mounted on the tool

1x Nosepiece for structural Q-M-Power blind rivets with Ø 6.4 mm found in the plastic case

1x Spanner for changing the nosepieces

2x 20.0V 2.0Ah/5 cell batteries

1x Battery charger

1.2 Technical data

Type Q-Tool R64XL

Tool weight	1.51 kg (excl. battery)
Stroke	27.0 mm (1.062")
Drive	20V Brushless DC motor
Pulling force	20.000N (4,496lbs)

1.3 Parts list

Type Q-Tool R64XL see fig. A/B

Connect Art. Code	Description	No. Fig. A/B
0503QR64XL	Q-Tool R64XL Battery-Riveter standard set	
0504QR210	Q-R64XL Nosepiece Ø 2.4 mm	1
0504QR211	Q-R64XL Nosepiece Ø 3.0/3.2 mm	1
0504QR212	Q-R64XL Nosepiece Ø 4.0 mm	1
0504QR213	Q-R64XL Nosepiece Ø 4.8/5.0 mm	1
0504QR214	Q-R64XL Nosepiece Ø 6.4 mm	1
0504QR215	Q-R64XL Nosepiece for M-Power Ø 4.8 mm	1
0504QR216	Q-R64XL Nosepiece for M-Power Ø 6.4 mm	1
0504QR217	Q-R64XL Front sleeve	2
0504QR218	Q-R64XL Clamping sleeve	3
0504QR219B	Q-R64XL 3-Jaw set > Ø 3.0 - 6.4 mm	4
0504QR220	Q-R64XL Jaw pusher	5
0504QR221	Q-R64XL Jaw pusher spring	6
0504QR222	Q-R64XL Spring sleeve	7
0504QR223	Q-R64XL Mandrel release tube	8
0504QR224	Q-R64XL Mandrel collector	9
0504QR225	Q-R64XL PCB set	10
0504QR226	Q-R64XL Brushless DC motor	11
0504QR227	Q-R64XL Mechanical transmission	12
0504QR228	Q-R64XL Body (right & left housing)	13
0504QNR201	Q-N12XL/R64XL 5-cell 20V battery 2.0 Ah	14
0504QNR203	Q-N12XL/R64XL Trigger spring	15
0504QNR204	Q-N12XL/R64XL Trigger	16
0504QNR205	Q-N12XL/R64XL Hanging hook	17
0504QR219A	Q-R64XL 3-Jaw set > Ø 2.4 mm	18
0504QNR202	Q-N12XL/R64XL Battery charger	

NOTE: 0504QNR202 charger set has a standard European plug. If other versions are required, please contact the dealer or manufacturers' representative.